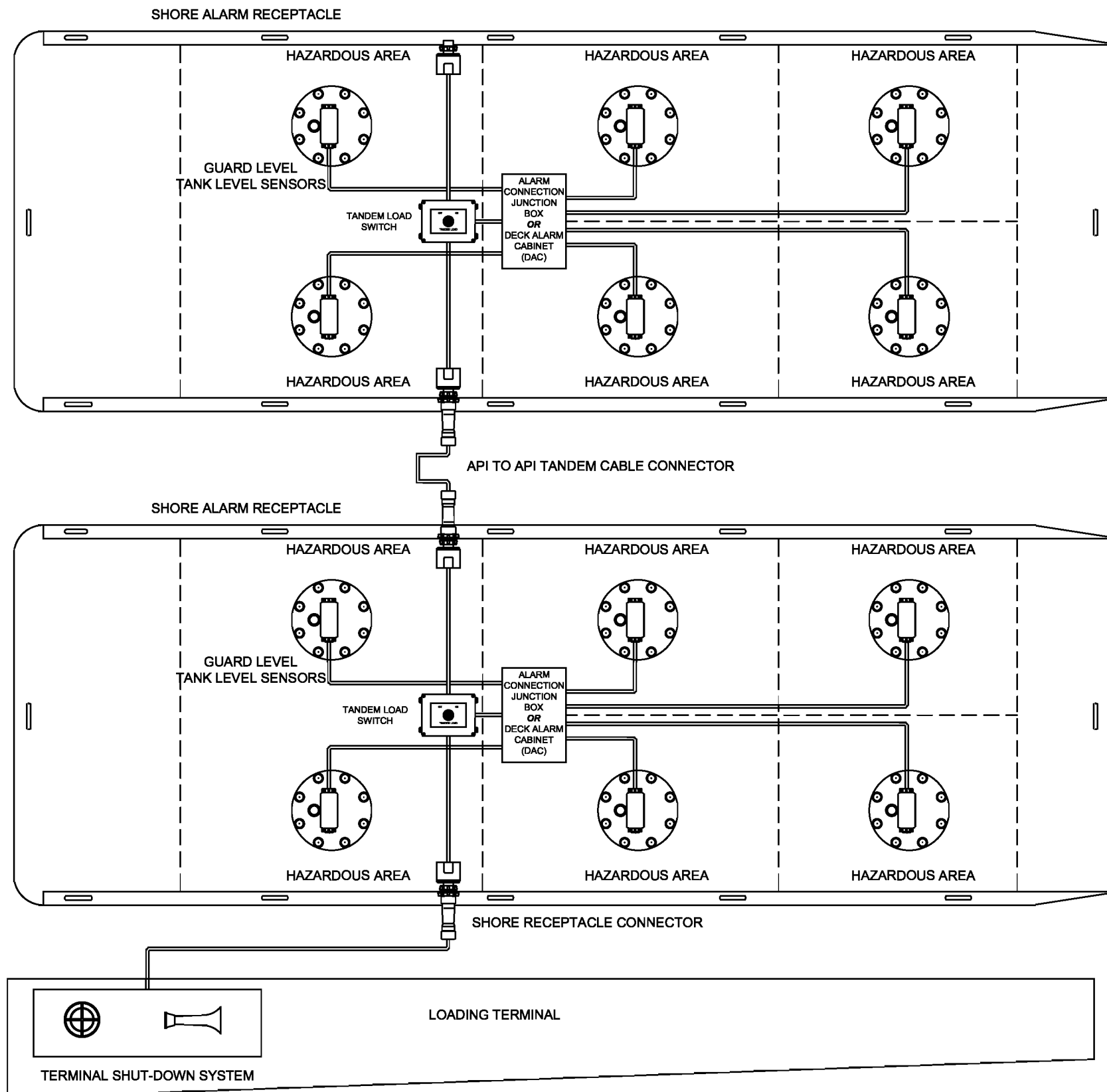


Guard Level® Tandem Barge Loading Switch Box

- Inherently safe
- Allows for safe simultaneous loading of two barges
- Can be installed for use with a series connected level alarm system (or) with the Guard Level® DAC Deck Alarm Cabinet
- Activation of high or overflow switch on either barge will activate terminal shutdown
- Heavy duty NEMA 4X fiberglass enclosure with complete operation instruction label
- Option: API to API pigtail with storage box available





REV	REVISIONS	DATE	BY	APPVD
A	AS ISSUED	09/12	VB	

Ian-Conrad Bergan, Inc.
 WEB: www.icbergan.com
 Made In The U.S.A

This drawing, design concept, and specification are the property of Ian-Conrad Bergan, Inc. and are furnished on a confidential basis with an expressed understanding that they will not be copied in any manner, used for manufacture, sold, transferred, nor used to the detriment of said firm without written permission. The recipient further agrees not to disclose these contents hereof to any other parties except for those specific purposes for which this drawing was issued.

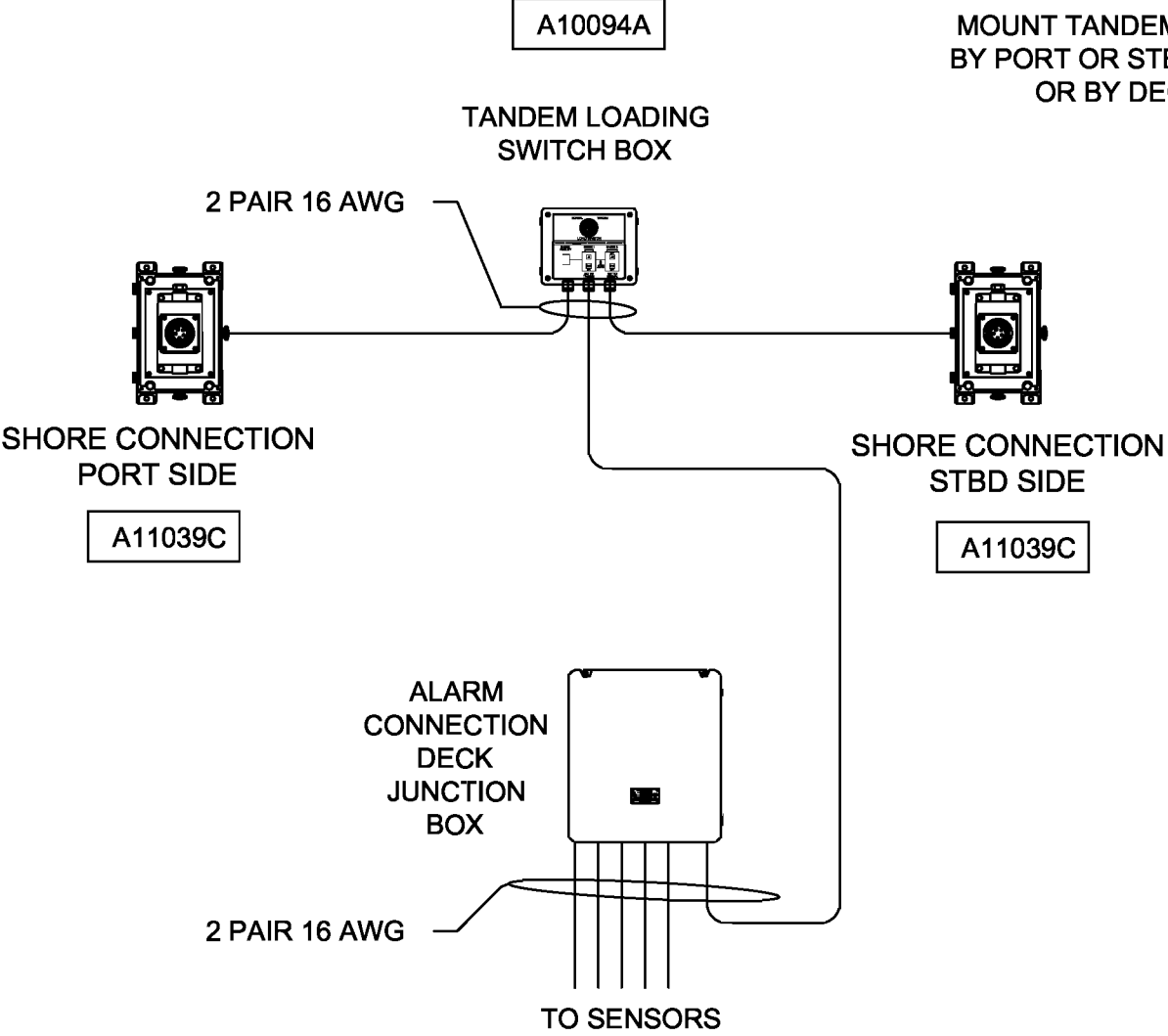
© COPYRIGHT 2001

APPROVALS
 _____ OWNER _____

GENERAL ARRANGEMENT HIGH LEVEL/OVERFILL ALARM SYSTEM DECK JUNC. TO TANDEM SWITCH BOX		
SCALE: N/A	DATE: 09/12	REV: A
DRAWN BY: VB	CHK'D BY:	SHEET: 1/1
HULL NO. N/A	FILE NO. TANDEM LOAD SWITCH GA.dwg	

ALL CABLES: TWISTED SHIELDED PAIRS

MOUNT TANDEM LOADING SWITCH BOX
BY PORT OR STBD API SHORE CONNECT
OR BY DECK JUNCTION BOX



REV	REVISIONS	DATE	BY	APPVD
A	AS ISSUED	05/11	VB	

Ian-Conrad Bergan, Inc.
 WEB: www.icbergan.com
 Made In The U.S.A

This drawing, design concept, and specification are the property of Ian-Conrad Bergan, Inc. and are furnished on a confidential basis with an expressed understanding that they will not be copied in any manner, used for manufacture, sold, transferred, nor used to the detriment of said firm without written permission. The recipient further agrees not to disclose these contents hereof to any other parties except for those specific purposes for which this drawing was issued.

© COPYRIGHT 2001

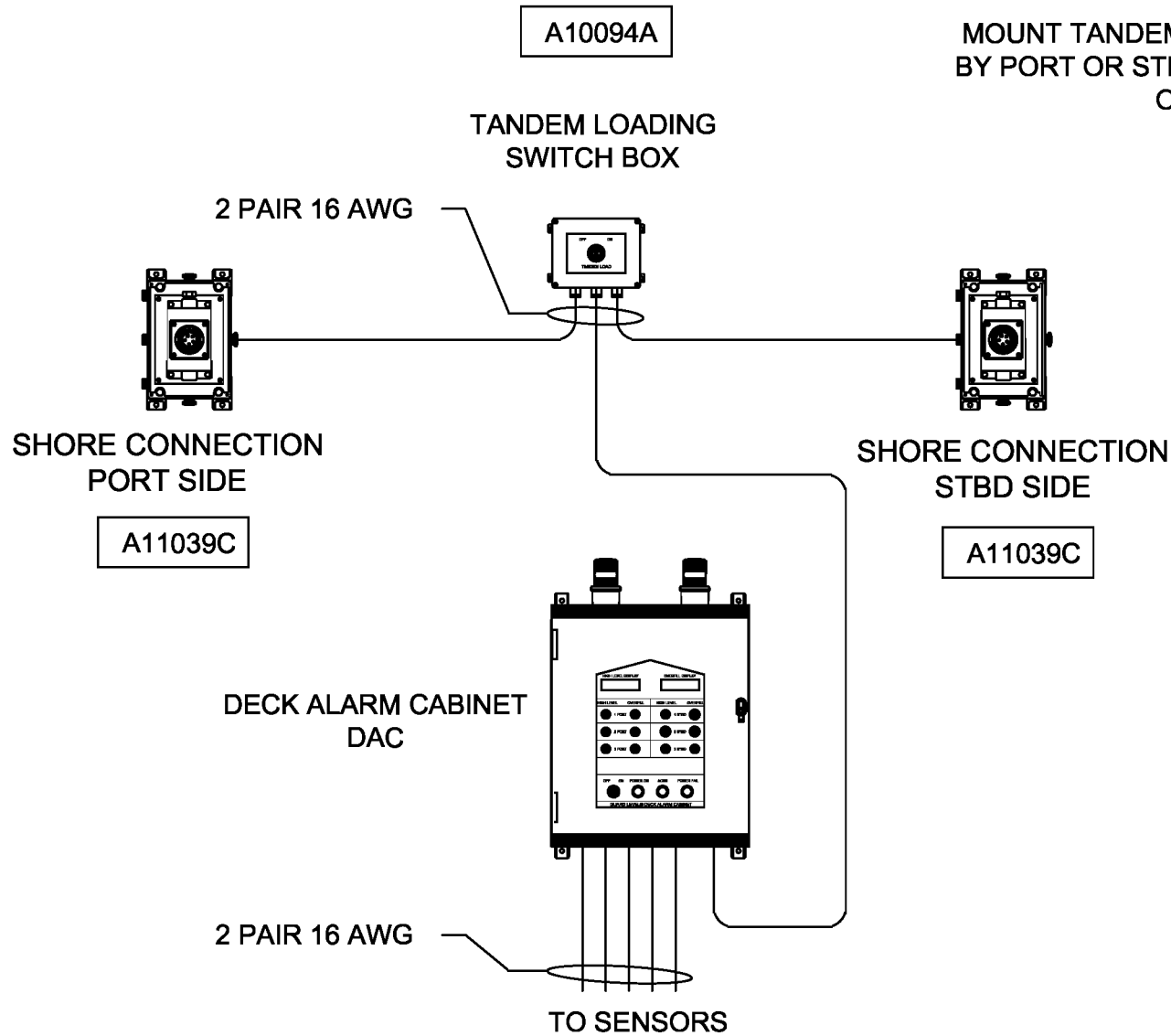
APPROVALS
 ABS _____ OWNER _____

GENERAL ARRANGEMENT DECK JUNCTION / TANDEM LOADING / API HIGHLEVEL/OVERFILL SYSTEM		
SCALE: N/A	DATE: 05/11	REV: A
DRAWN BY: VB	CHK'D BY:	SHEET: 1/1
HULL NO. N/A	FILE NO. DECK JUNCTION-TANDEM LOAD-API.dwg	

Jul 10, 2012 - 0:27 AM

ALL CABLES: TWISTED SHIELDED PAIRS

**MOUNT TANDEM LOADING SWITCH BOX
BY PORT OR STBD API SHORE CONNECT
OR BY DAC**



REV	REVISIONS	DATE	BY	APPVD
A	AS ISSUED	05/11	VB	

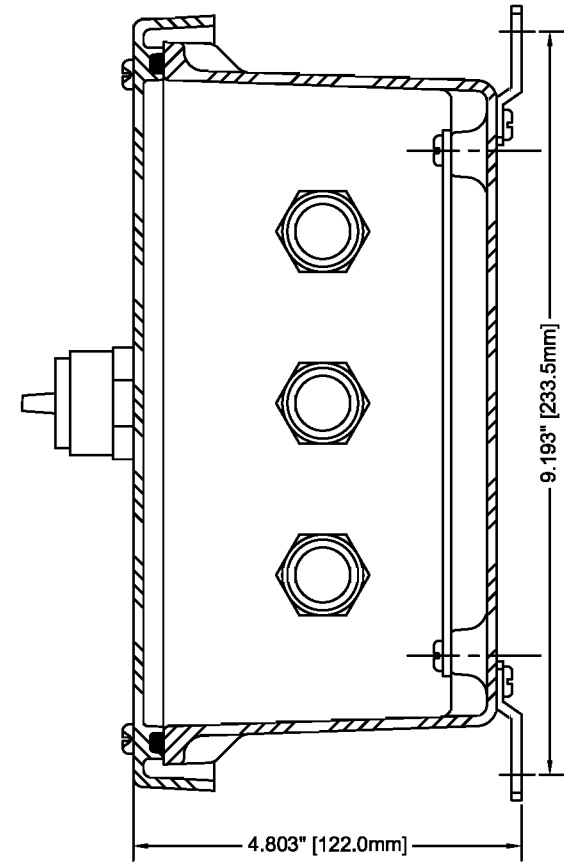
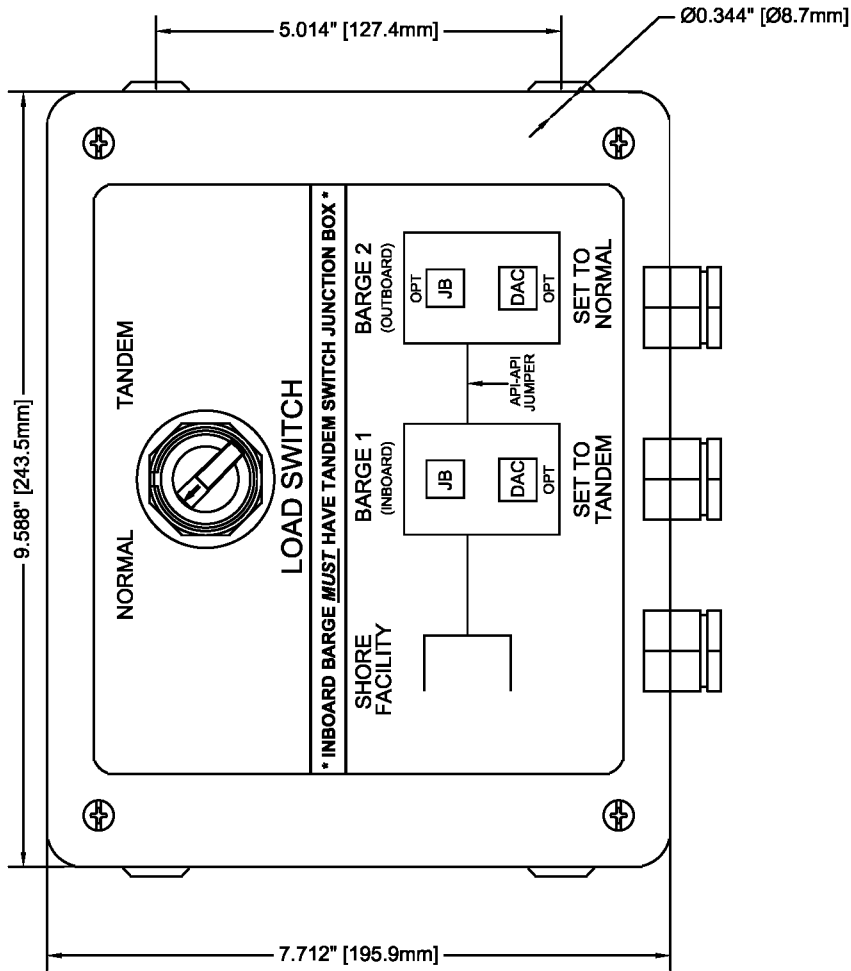
Ian-Conrad Bergan, Inc.
 WEB: www.icbergan.com
 Made In The U.S.A

This drawing, design concept, and specification are the property of Ian-Conrad Bergan, Inc. and are furnished on a confidential basis with an expressed understanding that they will not be copied in any manner, used for manufacture, sold, transferred, nor used to the detriment of said firm without written permission. The recipient further agrees not to disclose these contents hereof to any other parties except for those specific purposes for which this drawing was issued.

© COPYRIGHT 2001

APPROVALS
 ABS _____ OWNER _____

GENERAL ARRANGEMENT DECH ALARM CABINET / TANDEM LOADING HIGHLEVEL/OVERFILL SYSTEM		
SCALE: N/A	DATE: 05/11	REV: A
DRAWN BY: VB	CHK'D BY:	SHEET: 1/1
HULL NO. N/A	FILE NO. TANDEM LOAD GA.dwg	



NOTES:
MATERIAL: COMPRESSION MOLDED FIBERGLASS REINFORCED POLYESTER.

REV	REVISIONS	DATE	BY	APPVD
A	AS ISSUED	11/10	VB	

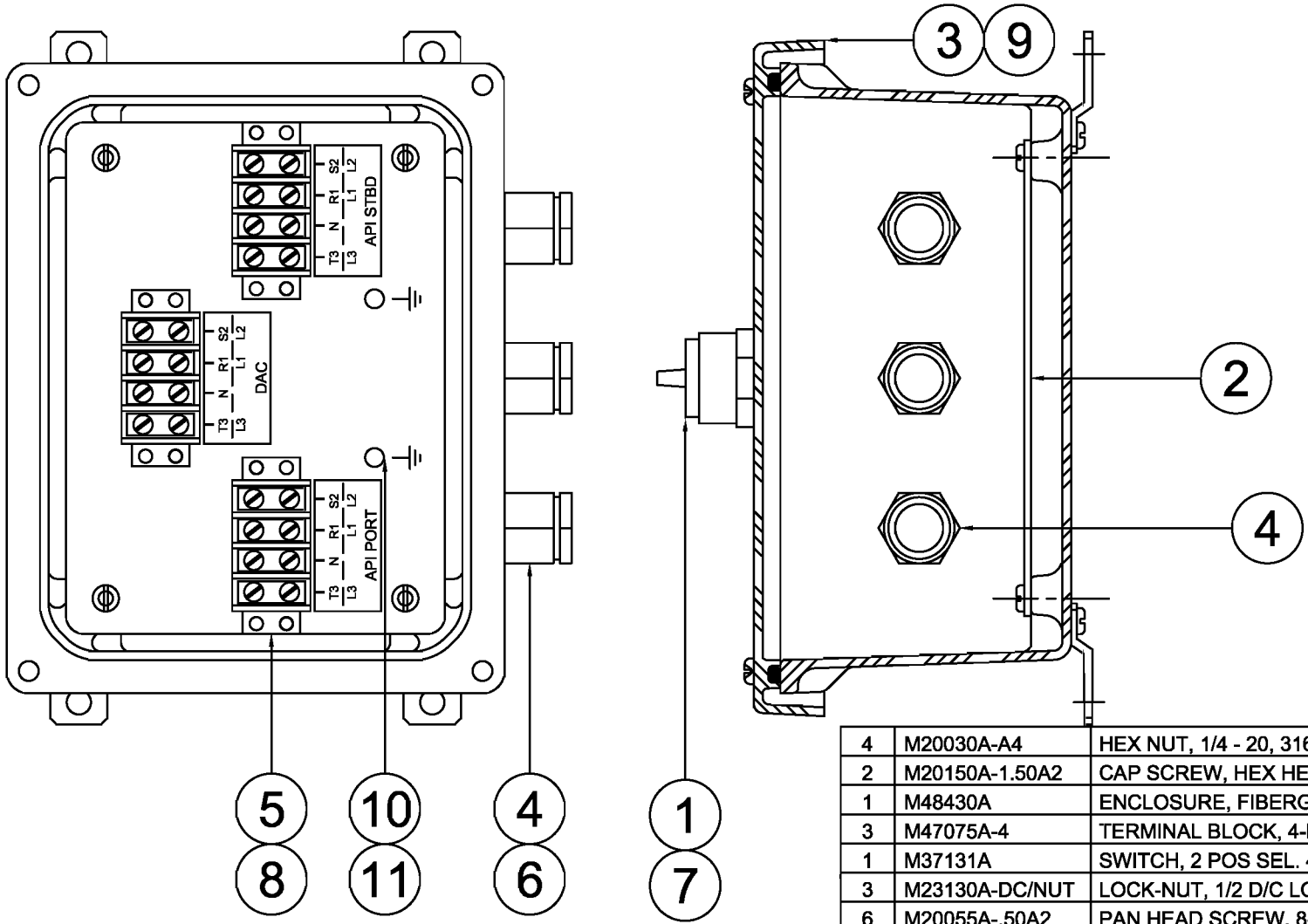
Ian-Conrad Bergan, Inc.
 WEB: www.icbergan.com
 Made In The U.S.A

This drawing, design concept, and specification are the property of Ian-Conrad Bergan, Inc. and are furnished on a confidential basis with an expressed understanding that they will not be copied in any manner, used for manufacture, sold, transferred, nor used to the detriment of said firm without written permission. The recipient further agrees not to disclose these contents hereof to any other parties except for those specific purposes for which this drawing was issued.

© COPYRIGHT 2001

APPROVALS
 ABS _____ OWNER _____

GENERAL OUTLINE TANDEM LOADING SWITCH		
SCALE: N/A	DATE: 11/10	REV: A
DRAWN BY: VB	CHK'D BY:	SHEET: 1/1
HULL NO. N/A	FILE NO. A10094A1.dwg	



4	M20030A-A4	HEX NUT, 1/4 - 20, 316SS	11
2	M20150A-1.50A2	CAP SCREW, HEX HEAD, 1/4-20 x 1.5", 304SS	10
1	M48430A	ENCLOSURE, FIBERGLASS, NEMA 4X, SCR COVER	9
3	M47075A-4	TERMINAL BLOCK, 4-POLE, 2 ROW, CLOSED BASE	8
1	M37131A	SWITCH, 2 POS SEL. 4 NO / 4 NC	7
3	M23130A-DC/NUT	LOCK-NUT, 1/2 D/C LOCKNUT DIE CAST	6
6	M20055A-.50A2	PAN HEAD SCREW, 8-32 X 0.5", 304SS	5
3	M21047A-02	STUFFING TUBE, BRASS 1/2"NPT	4
1	M1A463A	DOOR, WATERJET, TANDEM SWITCH JB	3
1	M1A462A	BACK PANEL, TANDEM SWITCH JB, 14GA 304SS	2
1	M15114A	LABEL, TANDEM SWITCH	1
QTY.	DWG/PART NO.	DESCRIPTION	ITEM

REV	REVISIONS	DATE	BY	APPVD
A	AS ISSUED	05/11	VB	


Ian-Conrad Bergan, Inc.
 WEB: www.icbergan.com
 Made In The U.S.A

This drawing, design concept, and specification are the property of Ian-Conrad Bergan, Inc. and are furnished on a confidential basis with an expressed understanding that they will not be copied in any manner, used for manufacture, sold, transferred, nor used to the detriment of said firm without written permission. The recipient further agrees not to disclose these contents hereof to any other parties except for those specific purposes for which this drawing was issued.

© COPYRIGHT 2001

APPROVALS
 ABS _____ OWNER _____

GENERAL OUTLINE TANDEM LOADING SWITCH JUNCTION BOX		
SCALE: N/A	DATE: 05/11	REV: A
DRAWN BY: VB	CHK'D BY:	SHEET: 1/1
HULL NO. N/A	FILE NO. A10094A2.dwg	