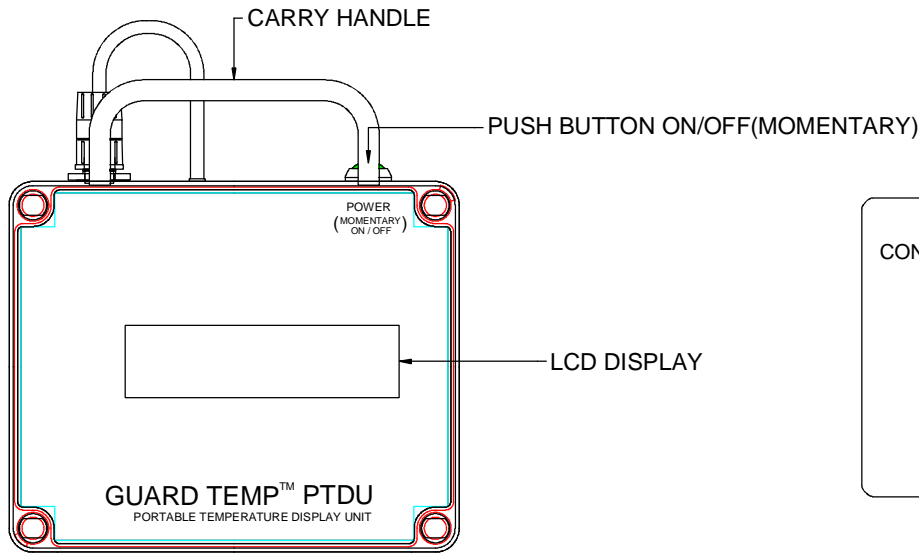


Guard Temp™ 07324 PTDU

Portable Temperature Display Unit

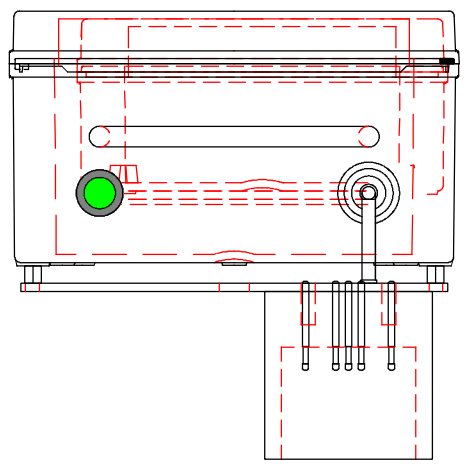
- **Portable temperature readout**
- **Four AA battery powered**
- **Displays up to 3 sensors simultaneously**
- **Replaces messy manual thermometers with clean accurate temp gauging**
- **Degree F or C**
- **Certified Intrinsically Safe**





CONTROL DRAWING NO. E20078 IAN-CONRAD BERGAN, INC.
 Uo - 7.2V WWW.ICBERGAN.COM
 Io - 0.232A PTDU A13210 - S/N: _____
 Co - 200uF ASSOCIATED APPARATUS PROVIDING
 Lo - 2mH INTRINSICALLY SAFE CIRCUITS
 Po - 0.316W INTRINSICALLY SAFE
 CLASS I, DIV 1 GROUPS C & D
 T3A -20°C < Ta < +50°C
 WARNING: DO NOT SUBSTITUTE COMPONENTS

WARNING
 TO REDUCE THE RISK OF EXPLOSION
 - USE **DURACELL PROCELL 1500C BATTERIES**
 - DO NOT MIX BATTERIES: NEW, OLD OR USED
 - CHANGE IN NON-HAZARDOUS LOCATION ONLY



REV	REVISIONS	DATE	BY	APPVD
A	AS ISSUED	12/08	MJ	
B	IMPACT MOLD	01/09	VB	
C	FIBOX CASE	05/09	VB	MJ
D	CORRECTED ENTITY PARAMETERS	9/09	MJ	
E	UPDATED USB CABLE CONNECTOR	12/09	VB	
F	ADDED ADAPTER FOR UNIVERSAL CONNECTION	04/11	VB	



Ian-Conrad Bergan, Inc.
 WEB: www.icbergan.com
 Made In The U.S.A

This drawing, design concept, and specification are the property of Ian-Conrad Bergan, Inc. and are furnished on a confidential basis with an expressed understanding that they will not be copied in any manner, used for manufacture, sold, transferred, nor used to the detriment of said firm without written permission. The recipient further agrees not to disclose these contents here to any other parties except for those specific purposes for which this drawing was issued.

© COPYRIGHT 2001

APPROVALS
 ABS _____ OWNER _____

GENERAL OUTLINE PORTABLE TEMPERATURE DISPLAY UNIT MKII - UNIVERSAL UNIT		
SCALE: N/A	DATE: 04/11	REV: F
DRAWN BY: VB	CHK'D BY:	SHEET: 1/2
HULL NO. N/A	FILE NO. A13210F1.dwg	

Sep 18, 2013 - 2:48pm